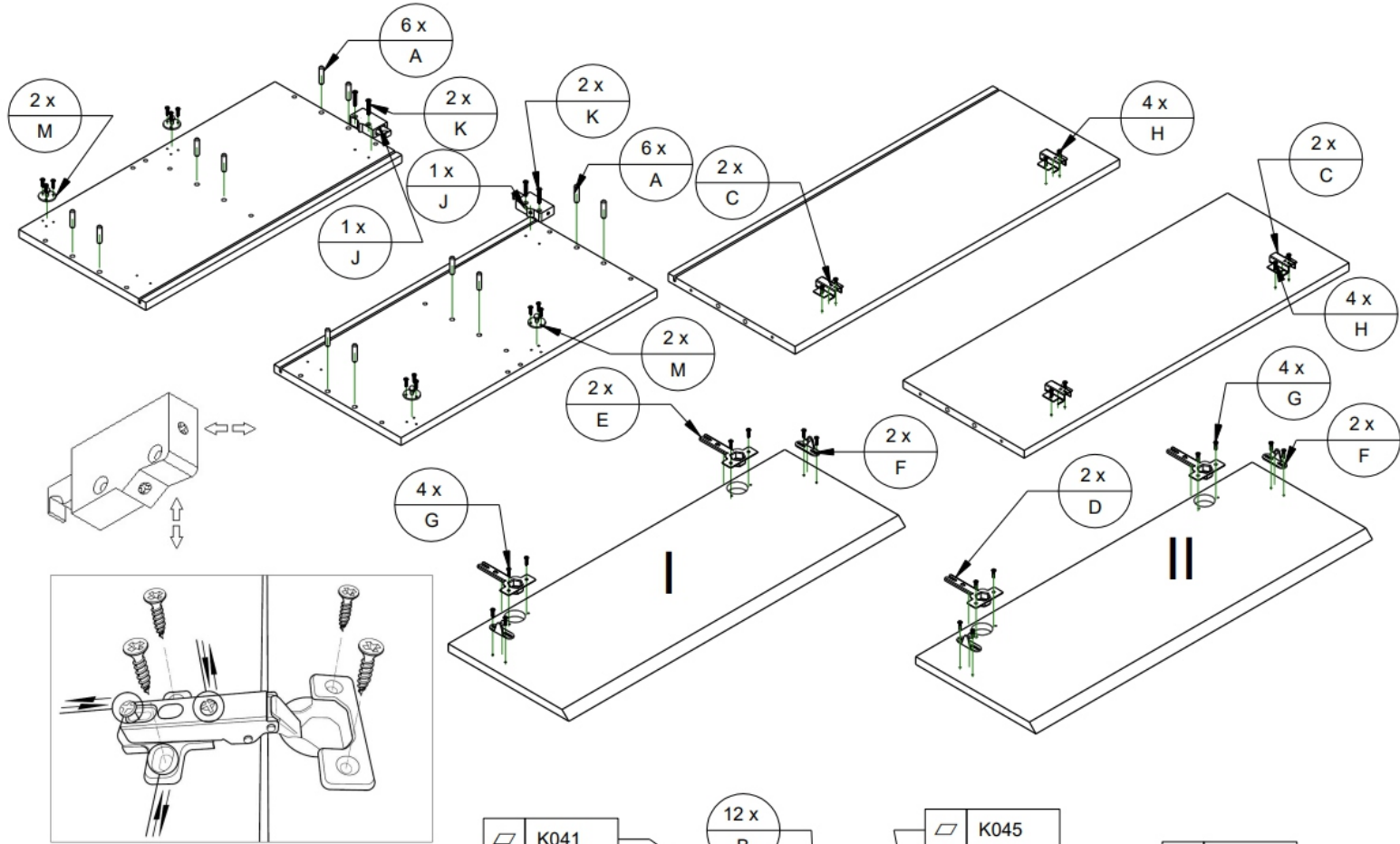






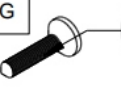
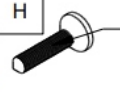
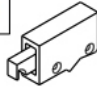

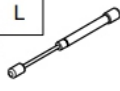
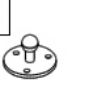
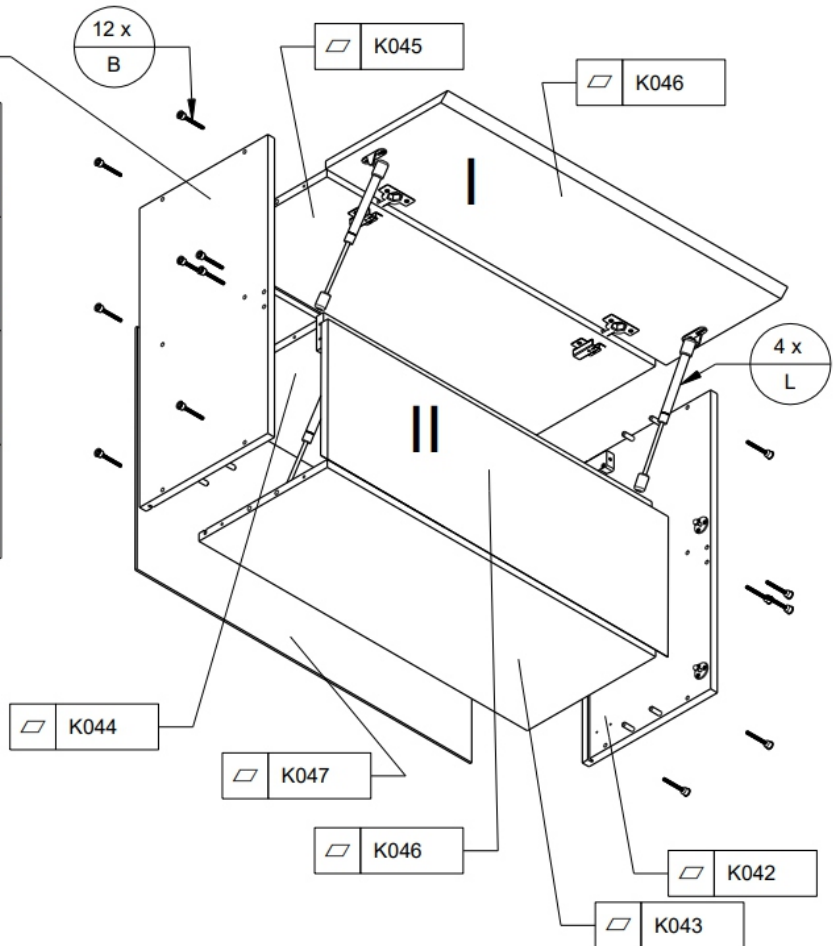


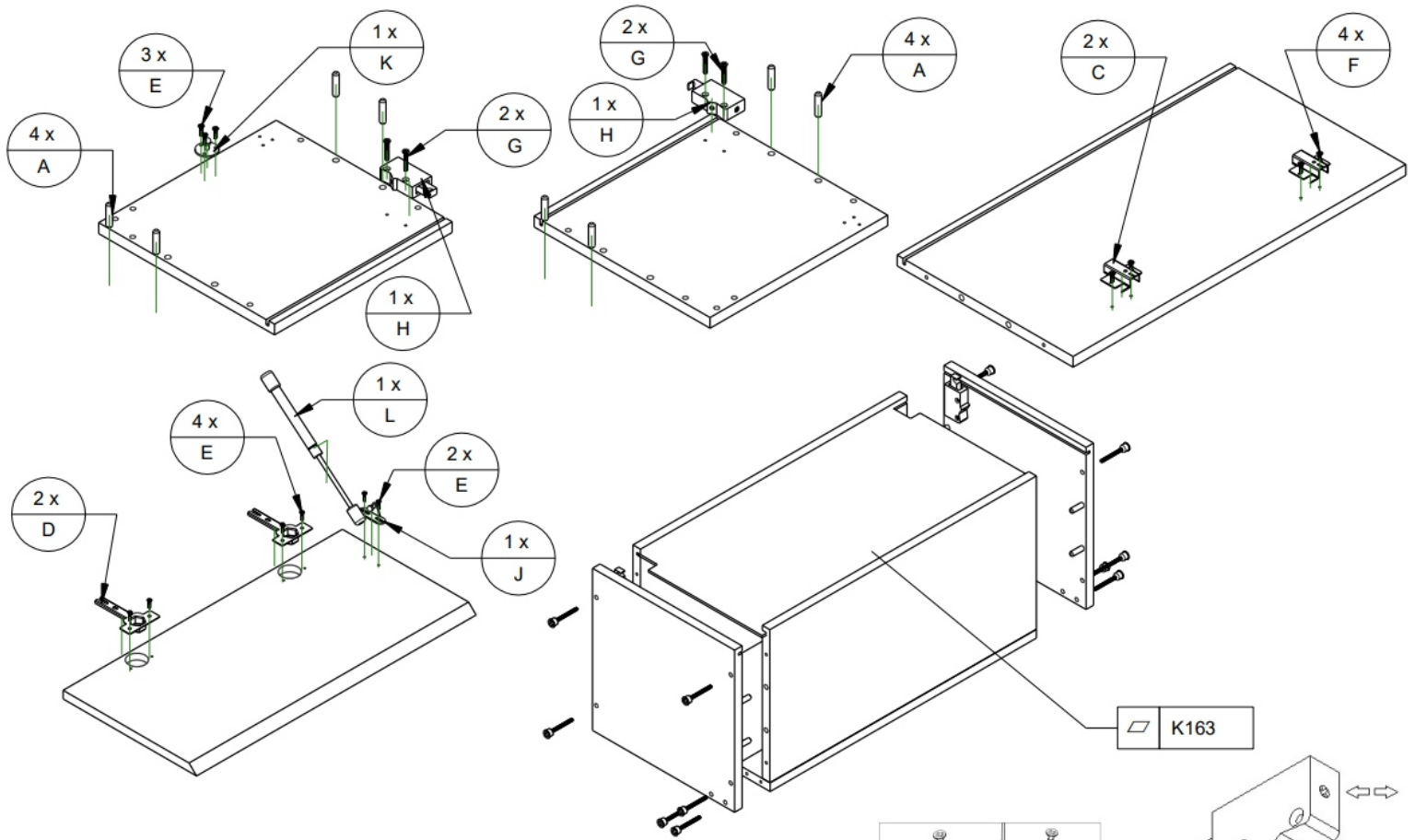
# G80uw

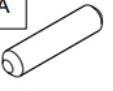



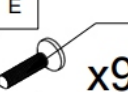
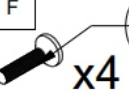
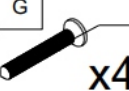
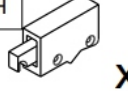

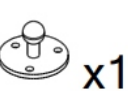



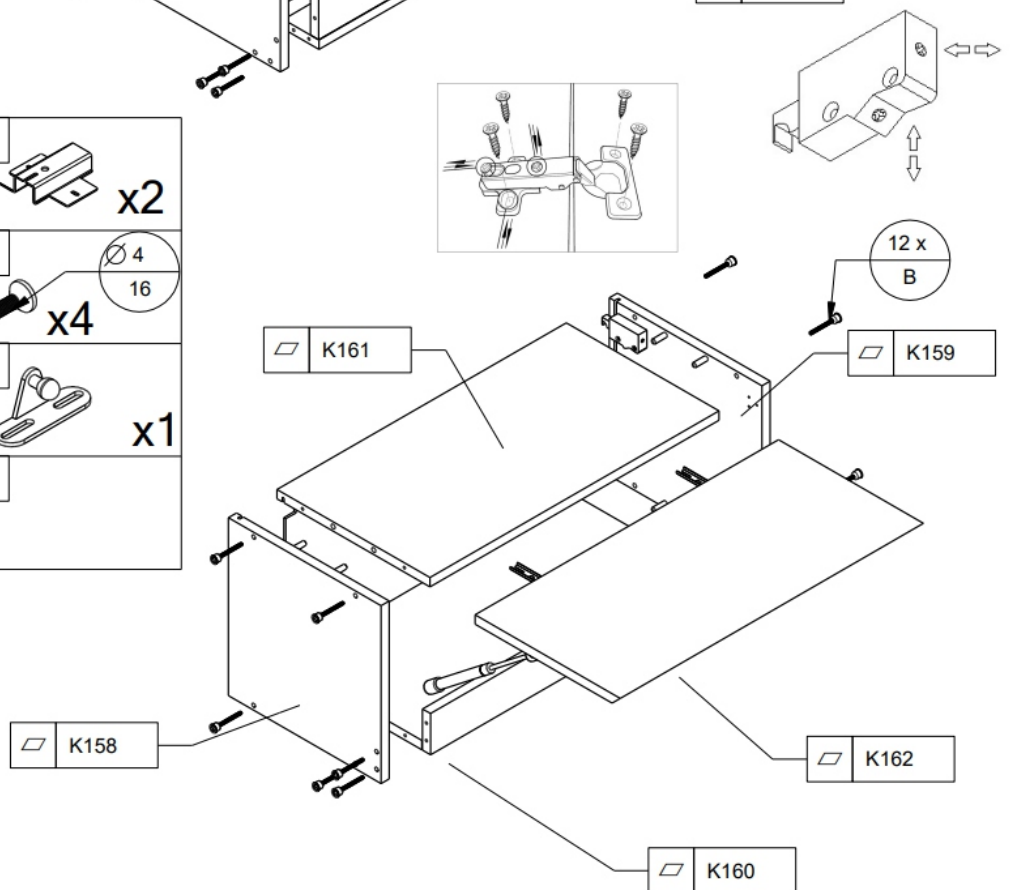
A	B	C
 x12	 x16	 x4
D	E	F
 x2	 x2	 x4
G	H	J
 x8	 x8	 x2
K	L	M
 x4	 x4	 x4



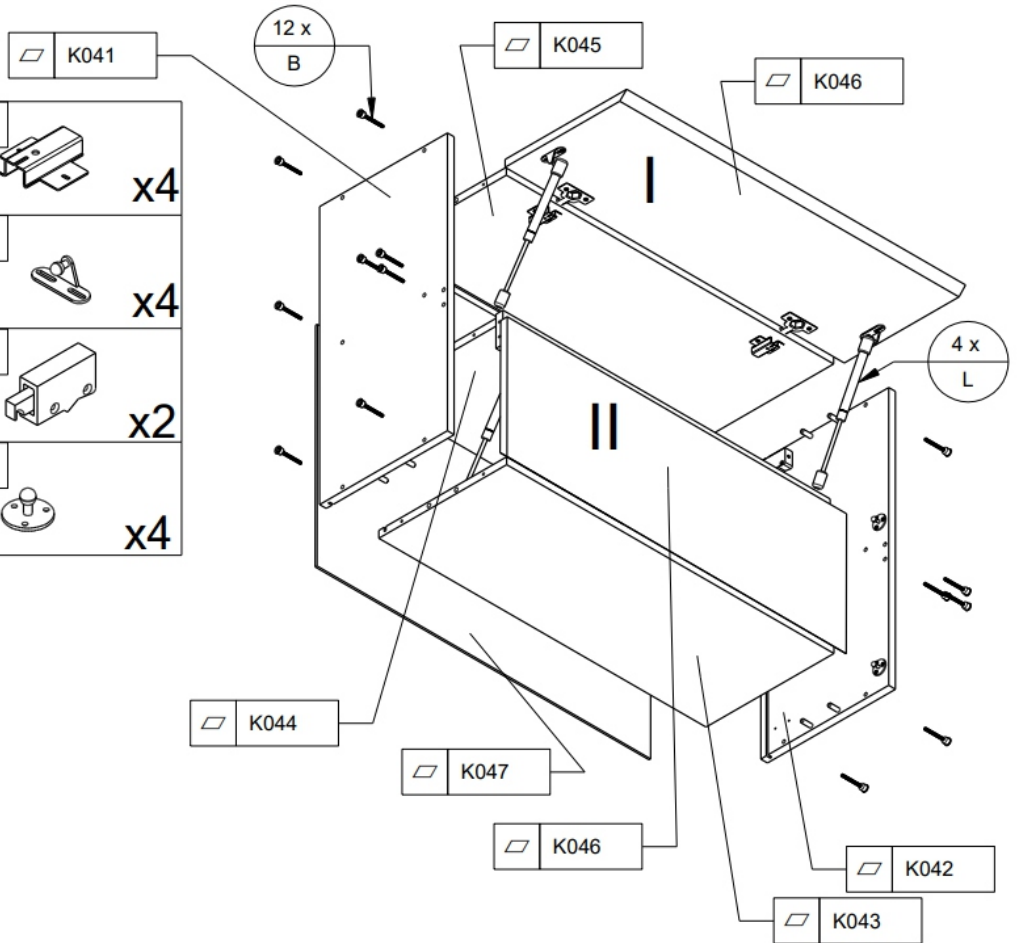
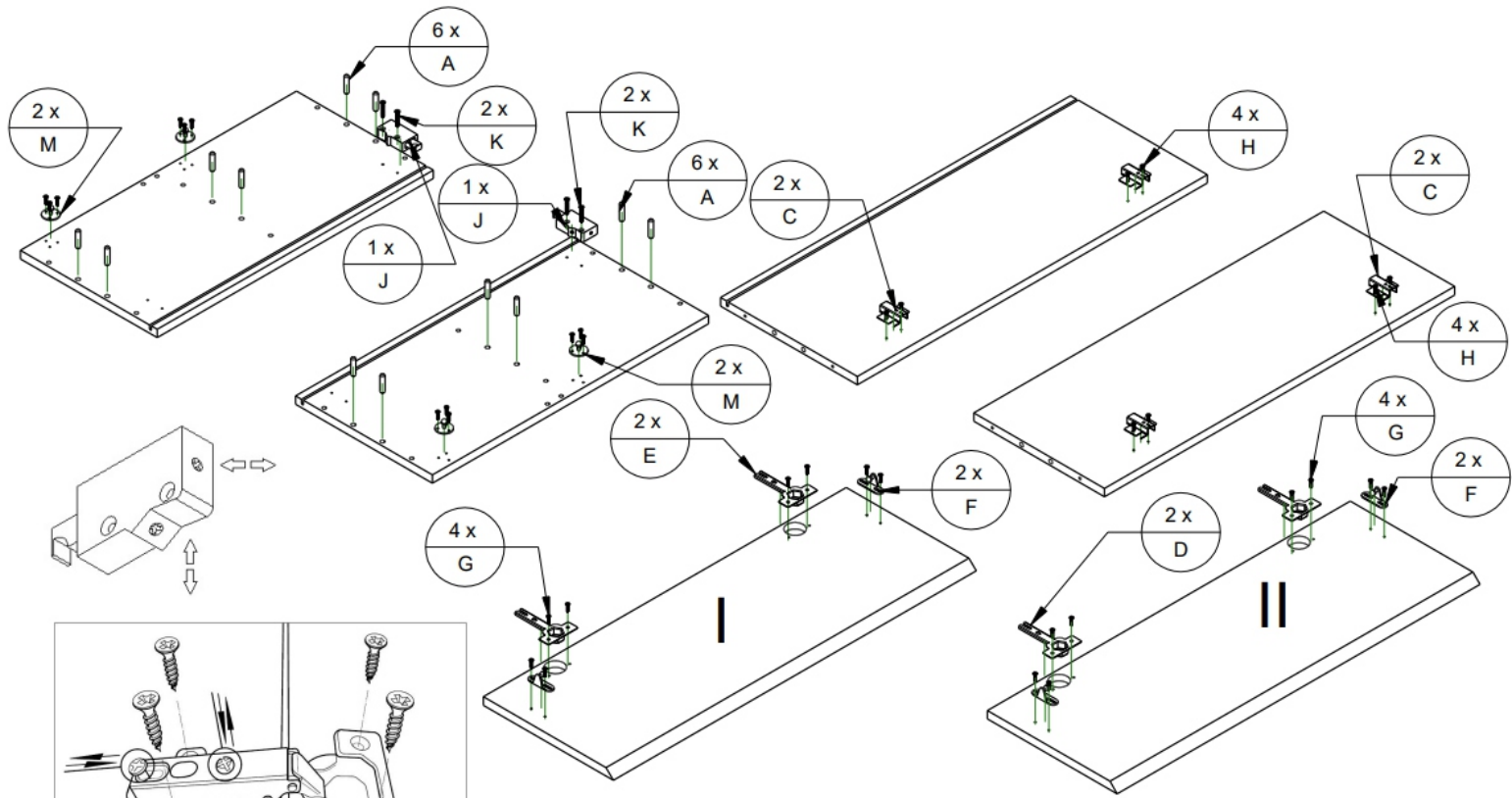
# G50/60 ok

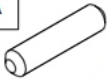






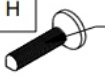
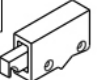

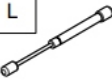



A	B	C
		
x8	x12	x2
D	E	F
		
x2	x9	x4
G	H	J
		
x4	x2	x1
K	L	M
		
x1	x1	

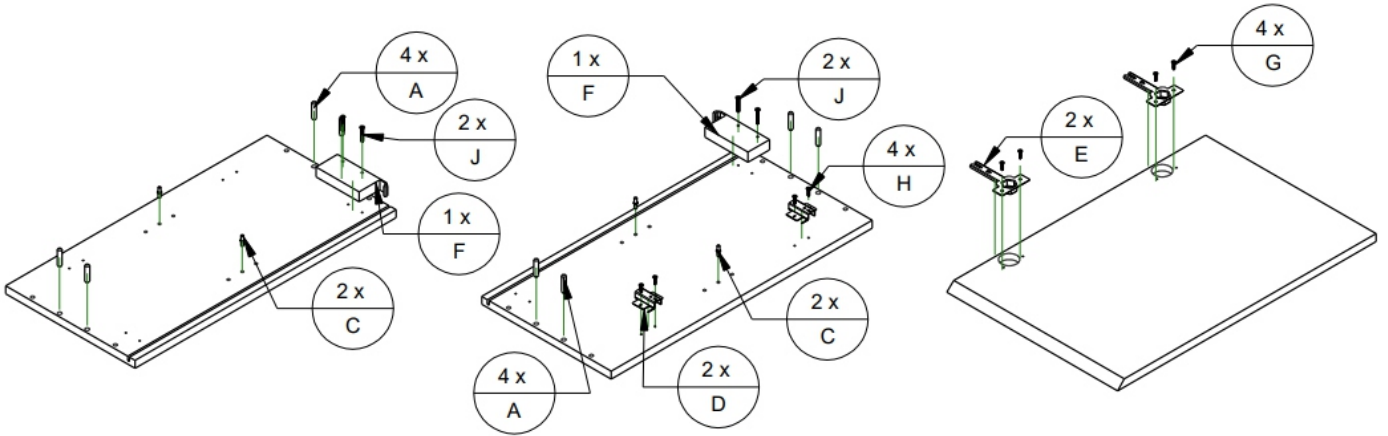


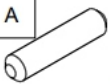

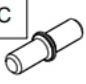
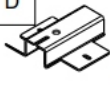





# G80uw

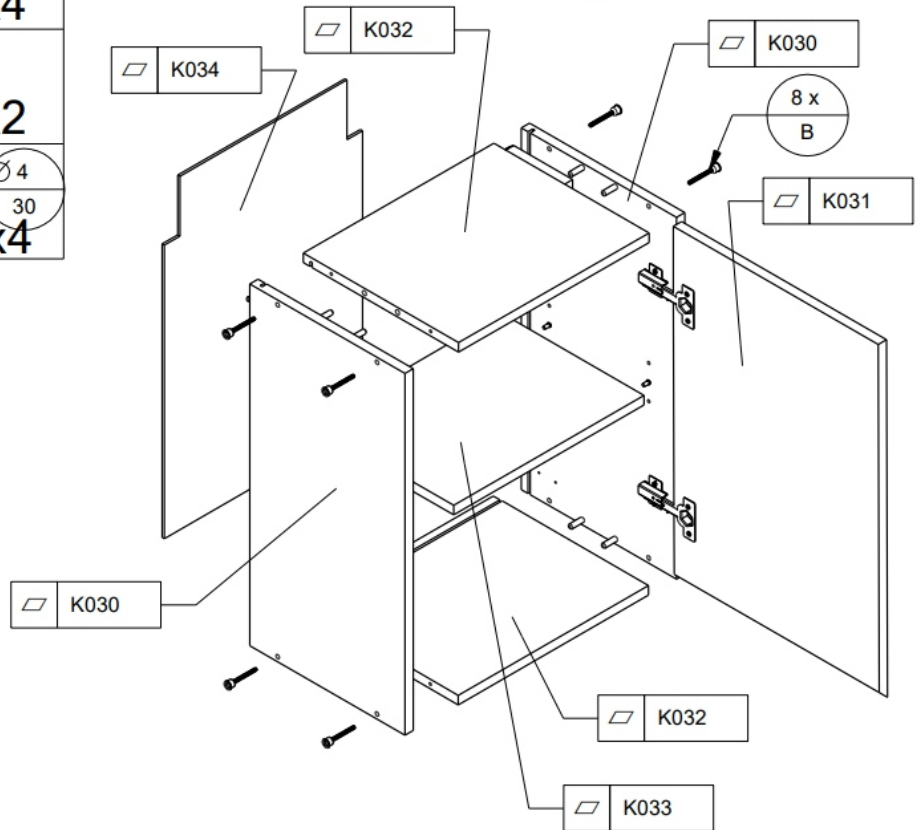
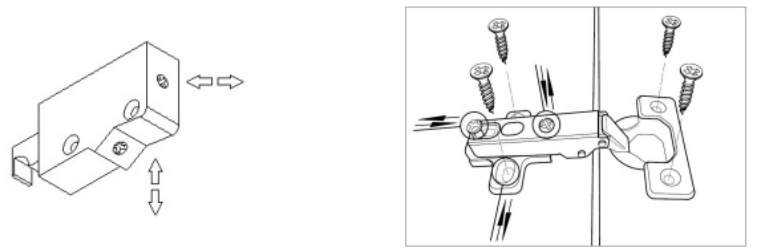


A	B	C
		
x12	x16	x4
D	E	F
		
x2	x2	x4
G	H	J
		
$\varnothing 3,5$ 16	$\varnothing 4$ 16	x2
x8	x8	
K	L	M
		
$\varnothing 4$ 30	x4	x4
x4		

# G30/40/60 1F

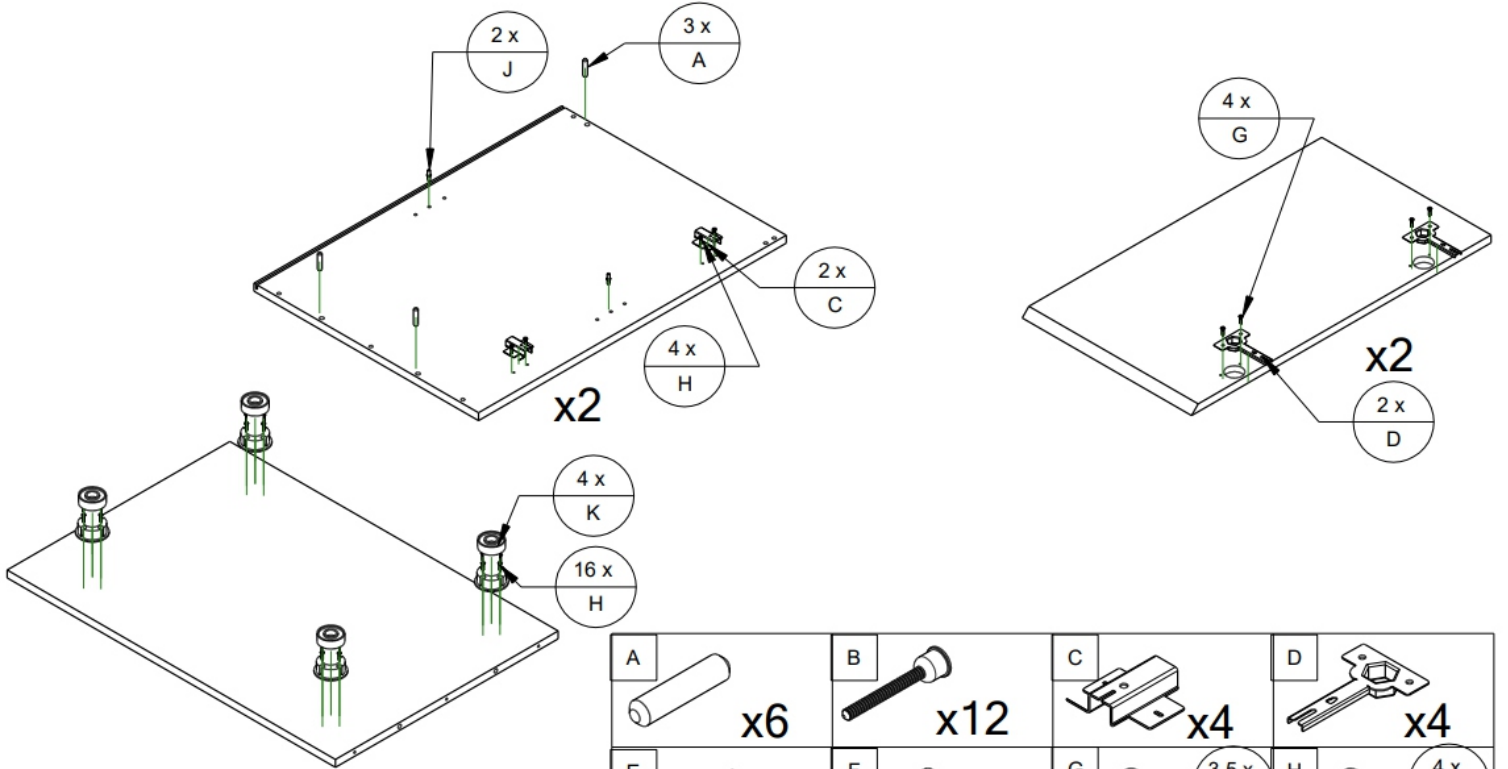


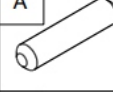

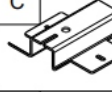






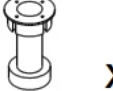
A	B	C
		
x8	x8	x4
D	E	F
		
x2	x2	x2
G	H	J
		
$\varnothing 3,5$ 16 x4	$\varnothing 4$ 16 x4	$\varnothing 4$ 30 x4

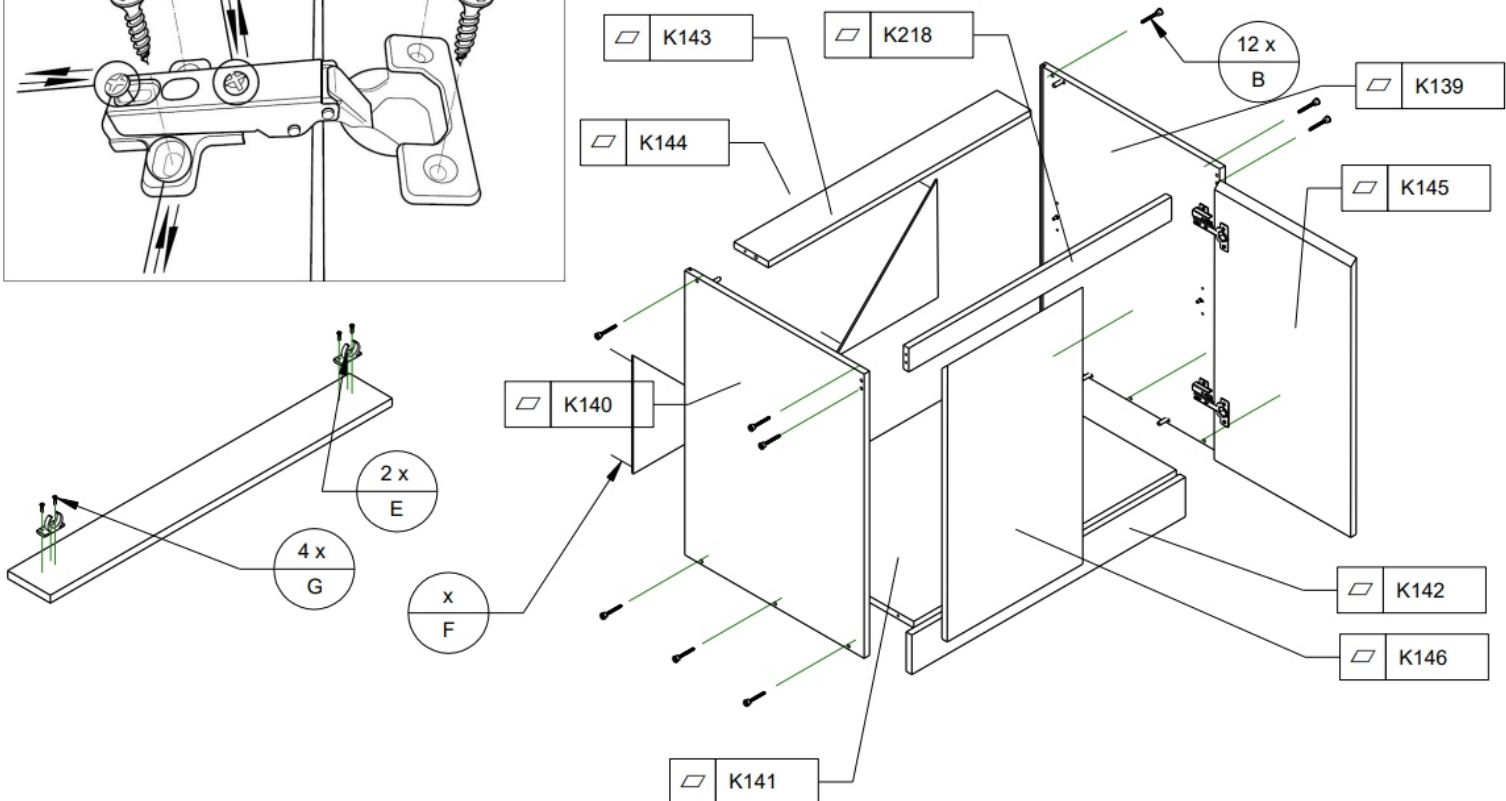
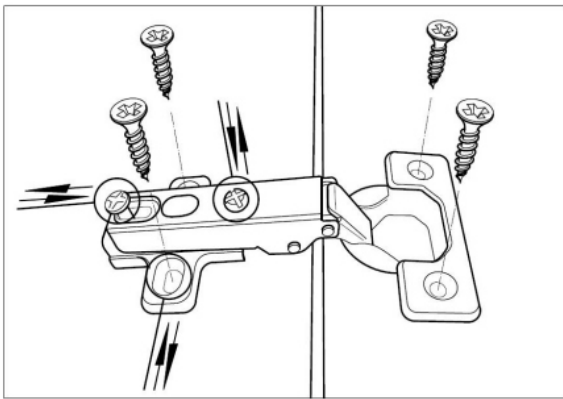




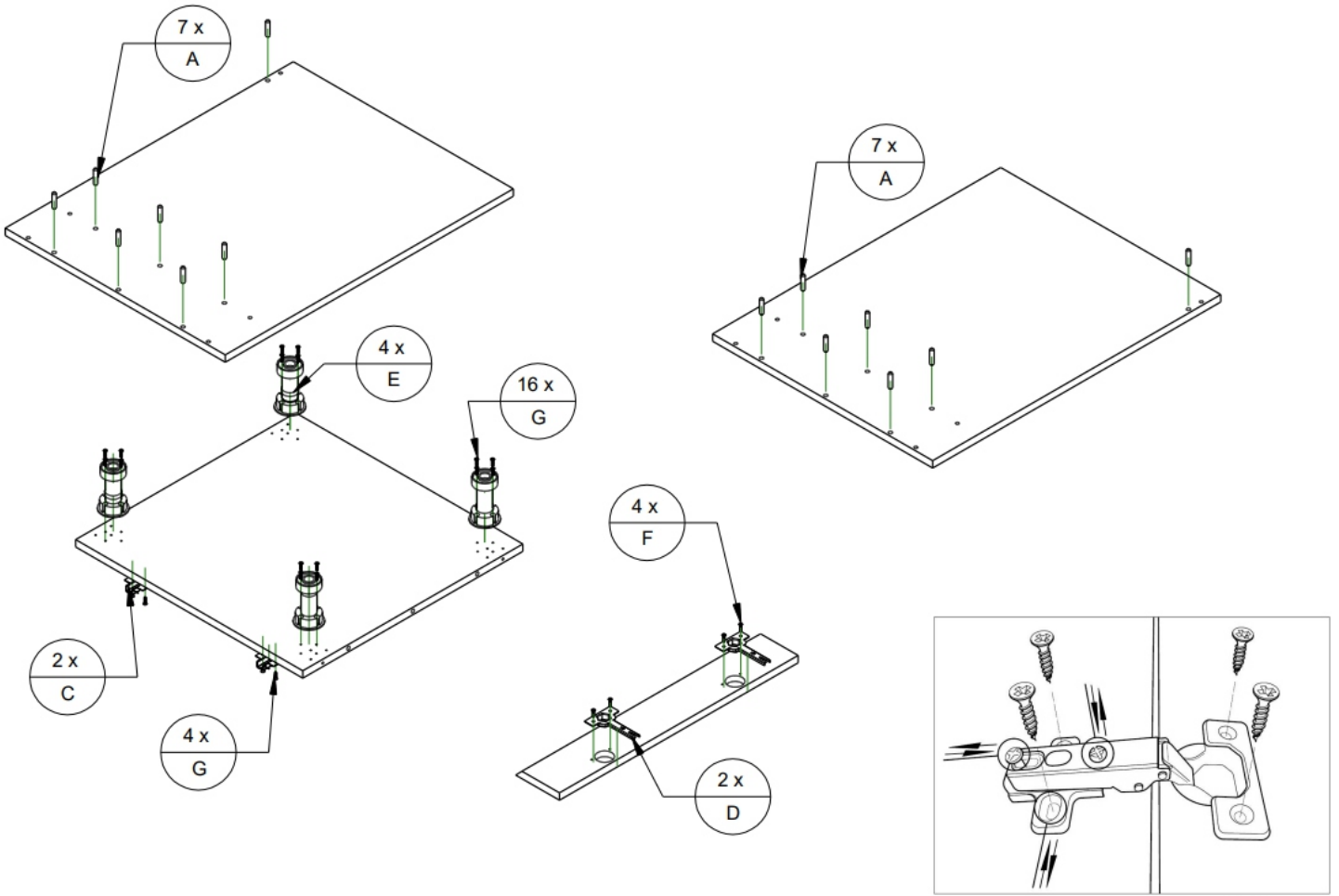
# D 80ZL




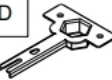
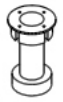

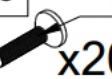


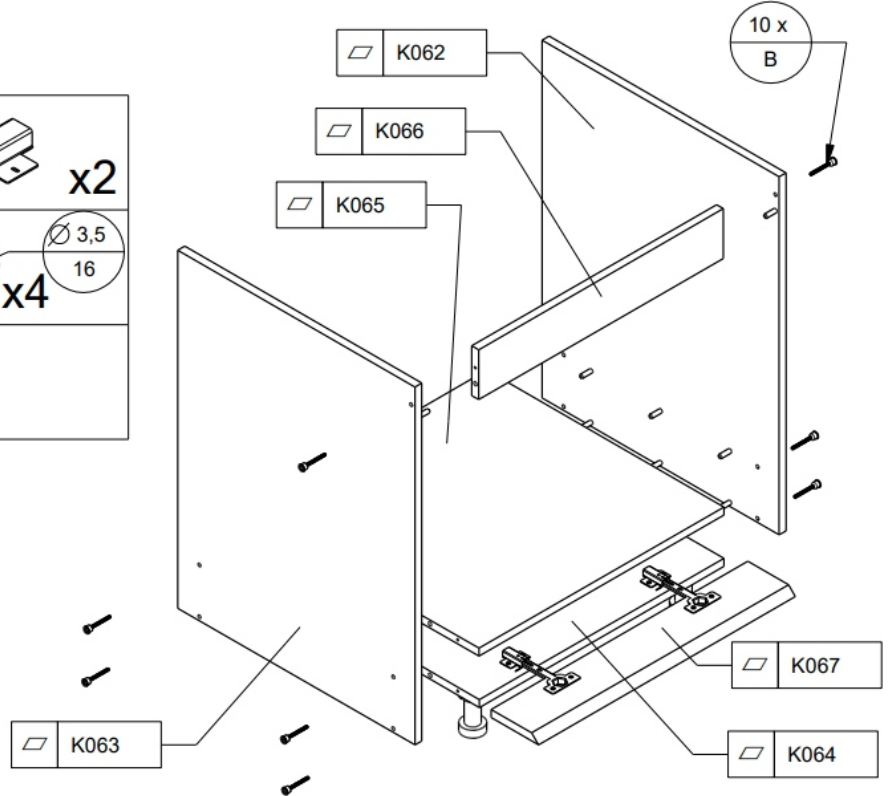
A	B	C	D
			
x6	x12	x4	x4
E	F	G	H
			
x2	x15	x8	x28
J	K	L	M
			
x4	x4		



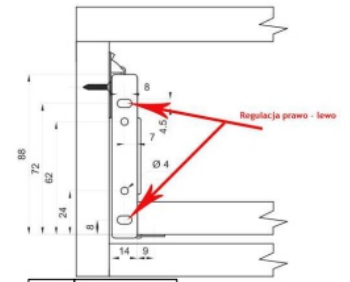
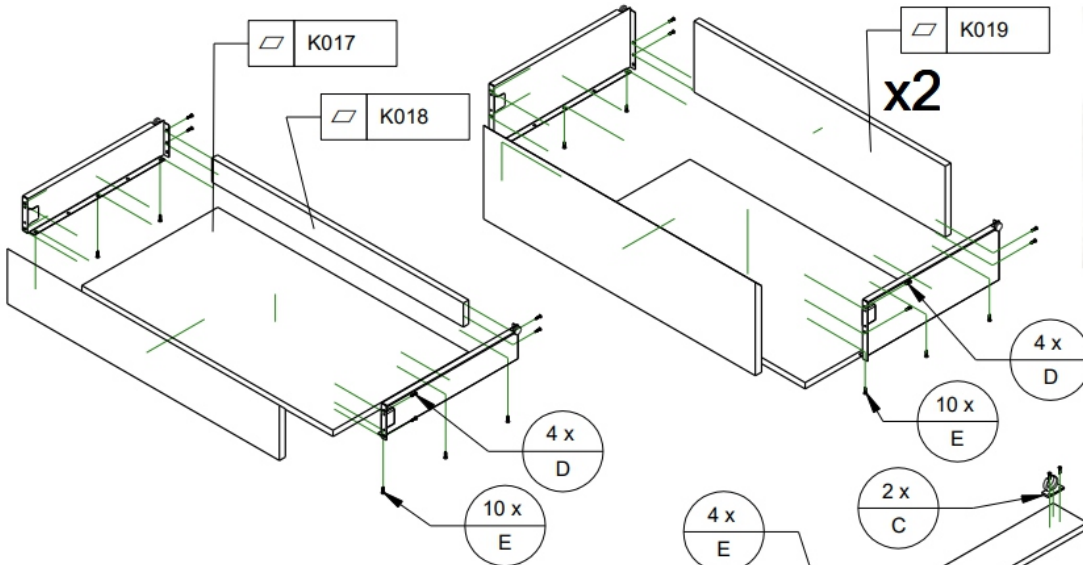
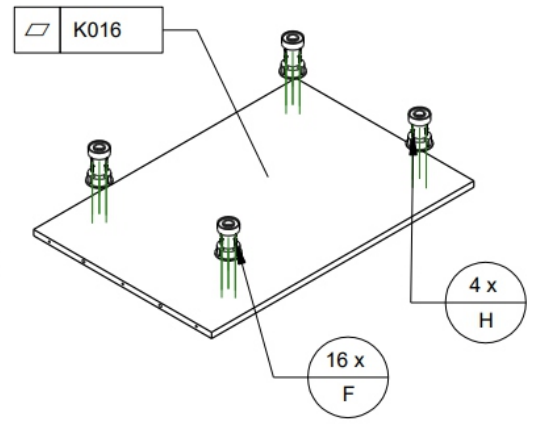
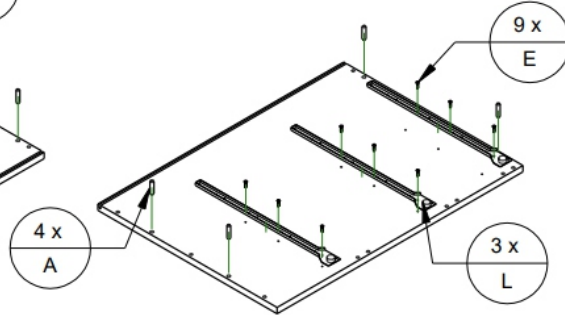
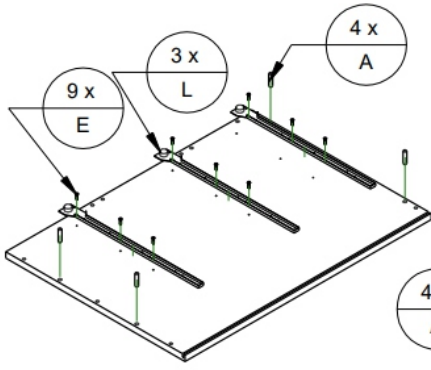
# D 60ku



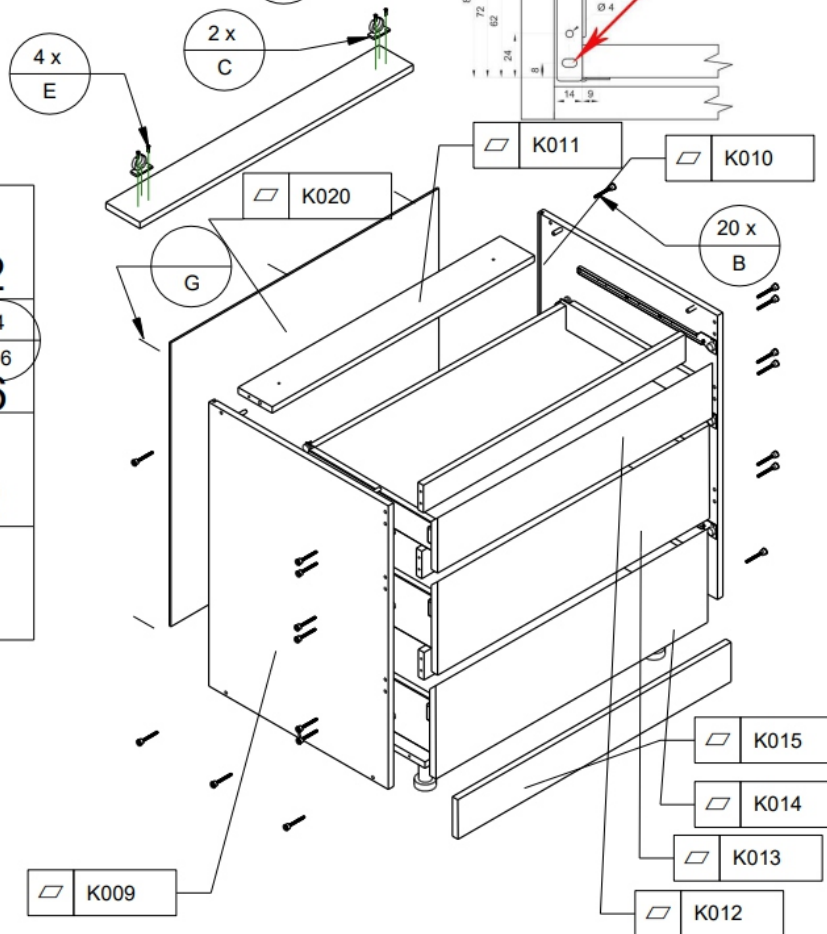
A	 x14	B	 x10	C	 x2
D	 x2	E	 x4	F	 x4 $\begin{matrix} \text{Ø } 3,5 \\ 16 \end{matrix}$
G	 x20 $\begin{matrix} \text{Ø } 4 \\ 16 \end{matrix}$	H		J	



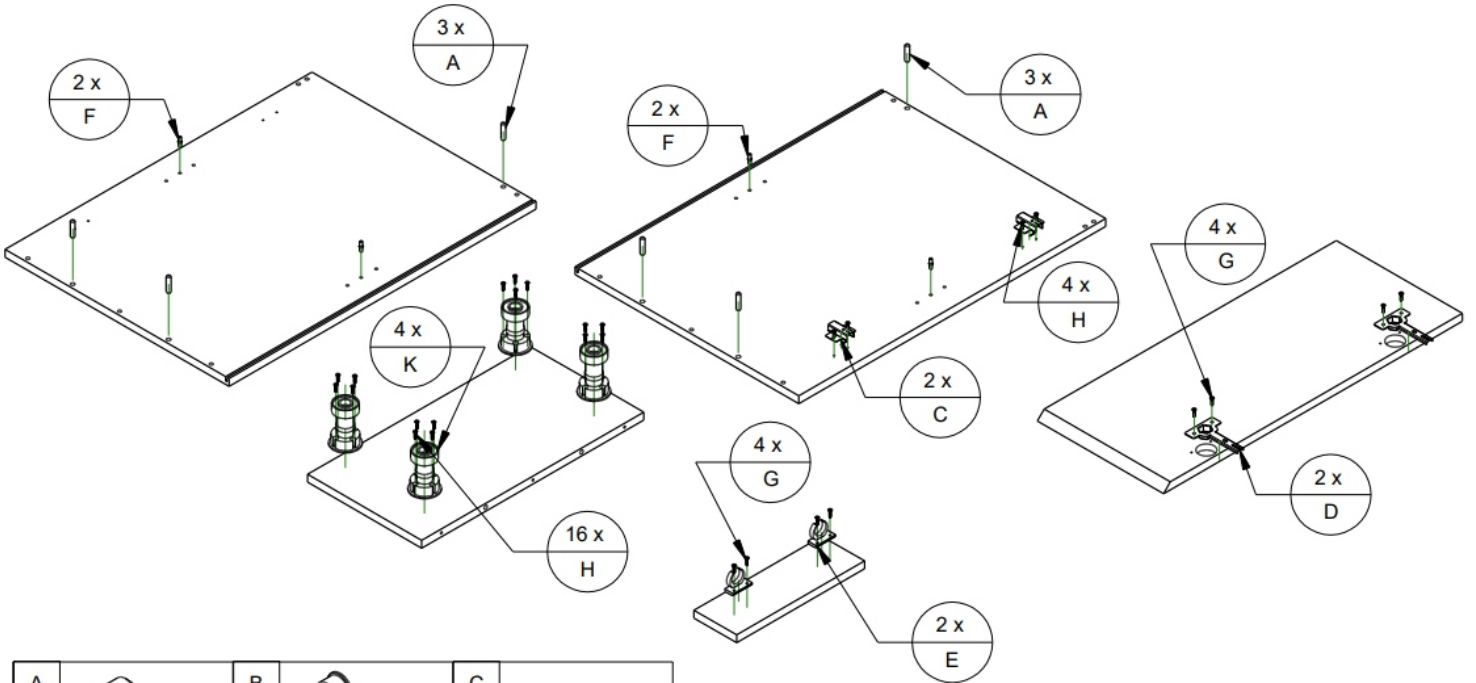
# D 80 3sz

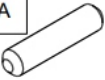

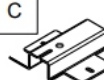


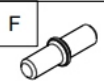
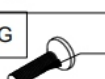


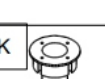


A	B	C
x6	x20	x2
D	E	F
∅3 13	∅3.5 16	∅4 16
x12	x52	x16
G	H	J
x20	x4	x2
K	L	M
x4	x6	



# D 30/40/60 1F



A		x6	B		x12	C		x2
D		x2	E		x2	F		x4
G		$\varnothing 3,5$ 16 x8	H		$\varnothing 4$ 16 x20	J		x20
K		x4	L			M		

